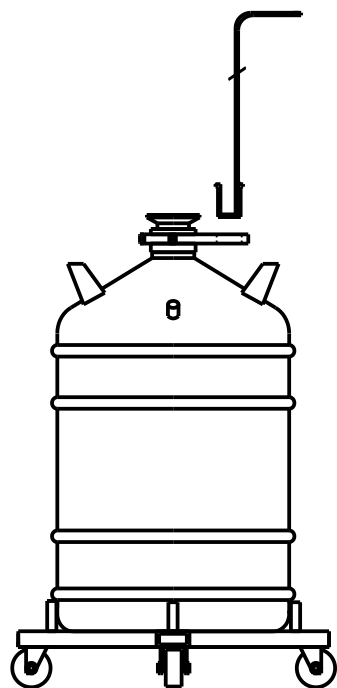




Technical data sheet for Dewar vessel out of Aluminium type ALU-CD-DMT with dipper for dermatology



ALU-CD 25-DMT with dipper and roller base



ALU-CD 12-DMT with dipper

Area of application

- for liquid nitrogen (LN2)
- pressure-less space for coolants
- Laboratory technique
- medicinal technique
- Biotechnology
- storing and transport
- dermatology

Features of performance

- reliably and economically
- low own weight
- simple LN2 removal
- easy cool down a sample in LN2
- nominal capacity from 12 to 35 litres

Description of Aluminium Dewar vessel Type DMT

Types and accessories

- double wall, vacuum insulated aluminium vessel
- multi-layer superinsolation in the vacuum space
- side grips or handle
- loose lied-on plug
- vessel with KF NW 50 and dipper holder
- dipper to take out Ln2

Temperature range

- LN2 -196°C

Pressure range

- Press less or up to max. 0,5 bar

KGW - ISOTHERM

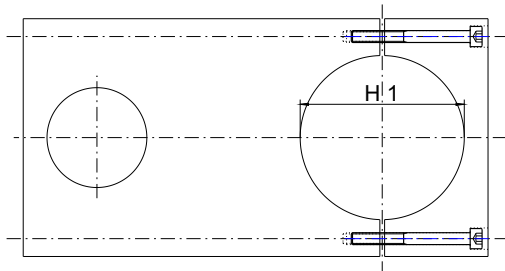
Karlsruher Glastechnisches Werk
76185 Karlsruhe Gablonzerstraße 6
Tel:0721 95897-0 Fax: 0721 95897-77
E-Mail: info@KGW-ISOTHERM.COM
Internet: www.KGW-ISOTHERM.COM



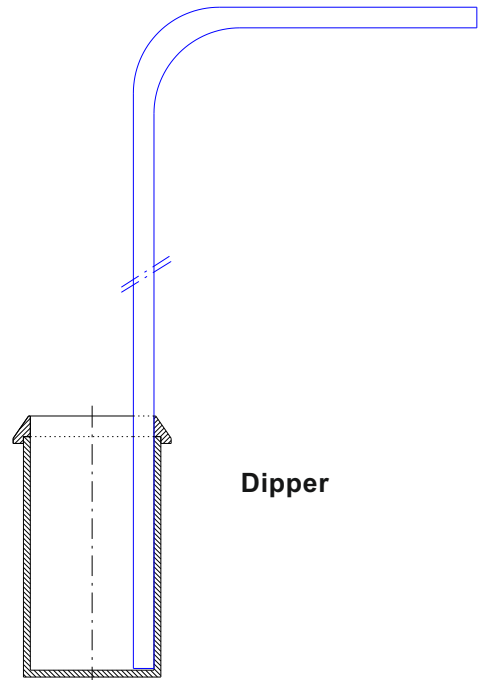
Technical data sheet for Dewar vessel out of Aluminium type ALU-CD-DMT with dipper for dermatology

Safety advises and regulations

- always wear protective glasses and protective gloves
- national regulations for laboratories
- company- internal regulations
- safety regulations for handling with liquid gases
- ADR regulations



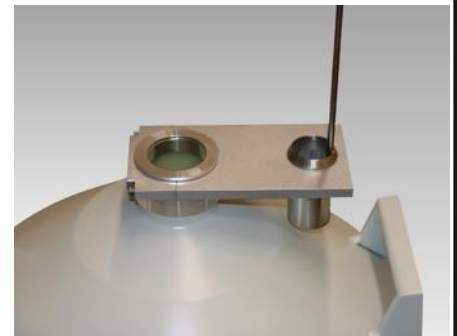
Dipper holder



Dipper

Measurements and order data

Typ ALU-CD		12-DMT	25-DMT	35-DMT
Art.-No.		2701-DMT	2702-DMT	2703-DMT
Capacity	(l)	12,5	25	35
Neck diameter H 1	(mm)	69	69	79
Weight empty	(kg)	8,1	10	13
Weight full	(kg)	18,1	31	41,5
Overall height	(mm)	600	684	591
Diameter outside	(mm)	310	395	480
Dipper depth of immersion	(mm)	600	600	600
Dipper capacity	(ml)	60	60	60
Evaporation rate static	(L / day)	0,2	0,25	0,3
Roller base Art.-No.			2640-CD	2641-CD



Spare parts	Art.-No.
Dipper	2630
Dipper holder for H1 = 69	2631
Dipper holder for H1 = 79	2632

All rights reserved for technical changes

Daily evaporation and static holding time are measured at 20°C, 1013 mb, vessel stationary, lid closed and without transfer siphon system. These values are nominal and can vary according to the history of the vessel and the manufacturing tolerances.