

Karlsruher Glastechnisches Werk ISOTHERM

Germany
76185 Karlsruhe
Gablونzer Straße 6
Tel. 0049 / 721 / 95897-0
Fax. 0049 / 721 / 95897-77
E-Mail: info@kgw-isotherm.de
Internet: www.kgw-isotherm.de



User's manual cold trap type
KF54V-K16-Z-DSS2000-CO2

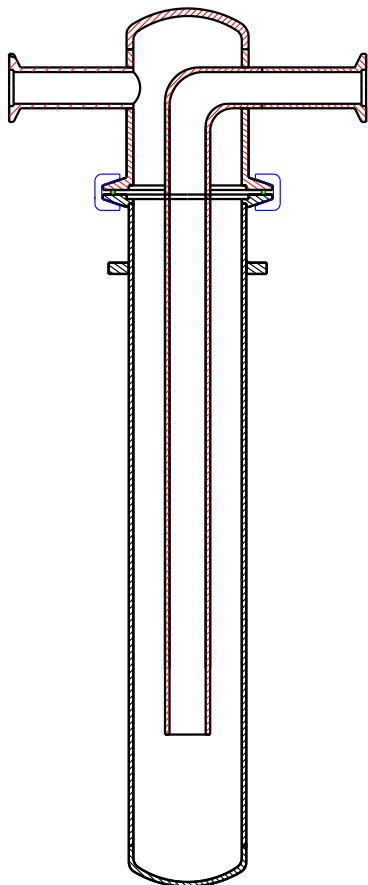
Datum: 11/2017

The cold trap type KF54V-K16-Z can be used anywhere where gases or undesirable substances or moisture should be withheld through LN2 or other coolant.

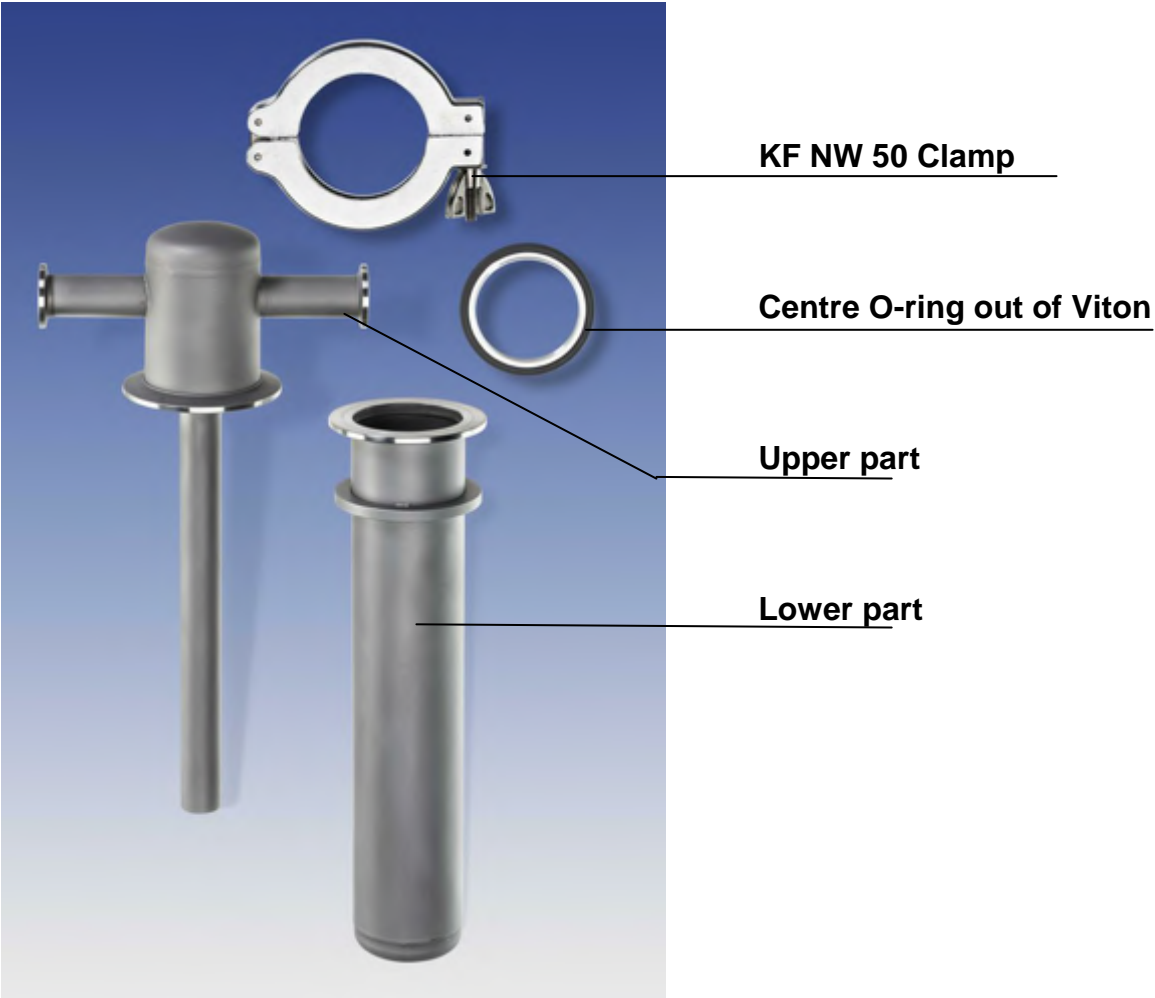
The cold trap is switched in a vacuum assembly or in a gas cycle, to avoid that the pump can be damaged by penetration of gases or liquids

Likewise according to the coolant and the condensate temperature of the substances, the cold trap could also be used as a collecting tank within a gas circle. According to the working temperature and the coolant the cold trap can either protect the vacuum jar through re-diffusion of penetrating oil moisture of the vacuum pump. The cold trap operates according to the principle of condensation.

The gas that has to be cleaned will guide to the cooled walls of the cold trap. Through that the gases or substances will be cooled down on the walls and they will condense and cached through the cold trap. The cold trap is made of V2A (1.4301). The cold trap is two parted and consists of an upper part with KF NW 16 vacuum flange and a removable lower part to catch the condensate.



Two parted cold trap S54V-KW16-Z



Supporting ring two parted with CO2 wire basket



cold trap S54V-KW16-Z with CO2 wire basket



Dewar flask type DSS 2000 for cold trap type S54V-K16-Z-CO2

The Dewar DSS 2000 for the cold trap S54V-K16-Z-CO2 is made of stainless steel, and especially designed for liquid nitrogen.

The capacity of the Dewar vessel without cold trap is 2 litres. With the cold trap the capacity for the coolant amounts to approx. 1.4 litres



1. Unpack

Carefully unpack the individual parts of the cold trap and check for any damage. It is important that any potential transport damage is identified during the unpacking process. An immediate assessment of any damage is required, where applicable. Please contact the manufacturer KGW-ISOTHERM to this end.

- Take the technical data from the valid operating instructions.
- Only approved spare parts should be used.

2. Mounting

Please pay attention that all flange connectors of the cold trap NW 50 and NW 16 will be tighten and fixed

When the sealing will not pressed enough, the cold trap can attract air from the surrounding and will lose its performance (saturated)

While mounting the cold trap, please stick to the following steps

- 1) Place the Dewar flask type DSS 2000 on a fix plate. Optionally secure with a stand rack
- 2) Place supporting ring with the wire basket on the Dewar flask
- 3) Check the cold trap to gain a correct assembling. Pay attention to the position of the O-ring it hast to be placed exactly onto the groove of the subpart and the upper part and will be pressed through the quick release clamp.
- 4) Connect the vacuum pipes with the upper part of the cold trap(KF NW 16 vacuum flange)
- 5) Place the cold trap carefully into the supporting ring, which is already placed on the Dewar flask.

3. Start-up

IMPORTANT !! Wear protective goggles and gloves !!

Please adhere to the following sequence during the start-up to ensure that everything runs smoothly:

1. Check flanges and sealings before starting your process.
2. Place Dewar flask and secure.
3. Place supporting ring on the Dewar flask.
4. Place the cold trap into the supporting ring carefully. Till the cold trap will sit on the ring
5. Connect the cold trap with the vacuum pump (Vacuum pump – recipient).
6. Remove the smaller part of the supporting ring.
7. Fill dry ice and solvents slowly into the Dewar flask.
8. Wait for 3 to 5 minutes, until the Dewar flask and the cold trap will be cooled down. After 5 minutes please refill.
9. Now switch on the vacuum pump.

10. Please be aware that there will be always enough dry ice or other coolant inside the Dewar flask. When the subpart will be dipped less than 2/3 into the coolants condensate performance will decrease perceptibly.

Attention – when handling dry ice there will be always the risk of burns!

4. Condensate - Emptying the Cold Trap

The cold trap can only gather a limited quantity of condensate. Ensure that not too much condensate gathers on the cold walls during the operation. Empty condensate out of the cold trap, if necessary.

Proceed as follows when emptying the cold trap:

1. Switch off the vacuum pump.
2. Interrupt the supply of coolant (dry ice)
3. Take out the cold trap of the Dewar
4. Open the quick release clamp of the cold trap, and take carefully away the subpart of the cold trap. Now you can take out the condensate

5. Maintenance and Cleaning

The cold trap requires no maintenance.
Please contact the manufacturer in case of repairs.

5.1 Cleaning

5.1.1 Exterior

The exterior of the cold trap should only be cleaned with water and a tenside-based detergent additive. Pay attention that the surface of the flanges will not show any damages (e.g. scratches)

5.1.2 Coolant compartment and condensate compartment

The coolant compartment and condensate compartment should be rinsed with tenside-based detergent additive or solvent

Ensure that the solvent does not come into contact with the casing and its accessories.

It is essential to wear protective goggles and gloves while doing this!

6. Available Accessories and Spare Parts

- Centre ring with seal for cold trap = Viton O-ring KF NW 50
- Quick release clamp = KF NW 50
- Centre ring with sealing for cold trap connections = Viton O-ring KF NW 16
- Quick release clamps = KF NW 16
- Replacement supporting ring with wire basket = Nr. 17120
- Dewar Flask type DSS 2000 = Nr. 2103
- Cold trap S 54V-K16-Z = Nr. 17115

7. Technical Data

Cold trap upper part	: Distance between KF NW 16 : Flange = 154 mm
Cold trap lower part	: Da = 54 mm : Height till supporting ring = 270mm
Subpart capacity	: approx. 0,25 Litre
Cold trap vacuum connections	: KF NW 16
Cold trap two parted flange	: KF NW 50
Material	: 1.4301 / V2A
O-ring seal	: Viton

Acceptable operating conditions of the cold trap

Operational overpressure:	vacuum or overpressure up to max.2,5 bar
Chemical resistant	: see general material specification 1.4301
Chemical resistant	: see general material specification of Viton

Technical data Dewar flask

Dewar flask DSS-2000

: Di = 100 mm

: Hi = 285mm

Coolant

: coolant 1,4 Litre with
dipped cold trap

8. Safety information

- Only operate the cold trap under supervision!
- The cold trap should only be operated if it is filled with sufficient liquid nitrogen!
- Work on the cold trap should only be carried out by skilled workers!
- Observe the safety regulations when handling liquid nitrogen, see the EC safety data sheet pursuant to TRGS 220 (Technical Rules on Hazardous Substances) from AIR LIQUIDE dated 29.08.2002 (Wear protective goggles and gloves!)
- Cold traps that contain liquid nitrogen or other gaseous substances should not be sealed gas tight!
- Observe the safety information in the vacuum pump operating instructions!
- When the cold trap operation is completed, ensure that no overpressure is build-up when condensing gaseous substances (such as solvents).
Loosen the connection to the pump.

9. Drawing

