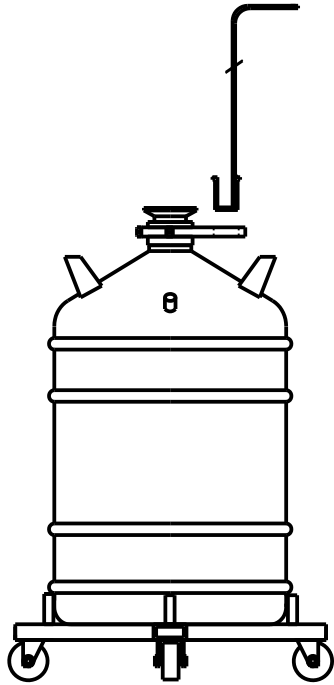




Technical data sheet for Dewar vessel out of Aluminium type ALU-DMT with dipper for dermatology



ALU 26-DMT with dipper
and roller base



ALU 12-DMT with dipper

Area of application

- ! for liquid nitrogen (LN₂)
- ! pressure-less space for coolants
- ! Laboratory technique
- ! medicinal technique
- ! Biotechnology
- ! storing and transport

Features of performance

- ! reliably and economically
- ! low own weight
- ! simple LN₂ removal
- ! easy cool down a sample in LN₂

Description of Aluminium Dewar vessel Type DMT

Types and accessories

- ! double wall, vacuum insulated aluminium vessel
- ! multi-layer superinsolation in the vacuum space
- ! side grips or handle
- ! loose lied-on plug
- ! vessel with KF NW 50 and dipper holder
- ! dipper to take out Ln₂

Temperature range

- ! LN₂ -196°C

Pressure range

KGW - ISOTHERM

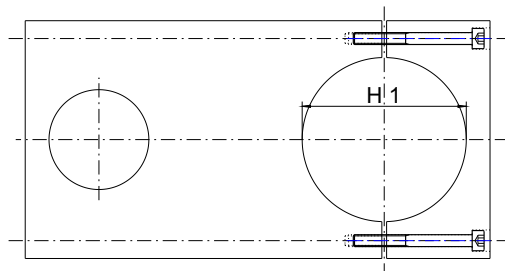
Karlsruher Glastechnisches Werk
76185 Karlsruhe Gablonzerstraße 6
Tel:0721 95897-0 Fax: 0721 95897-77
E-Mail: info@kgw-isotherm.de
Internet: www.kgw-isotherm.com



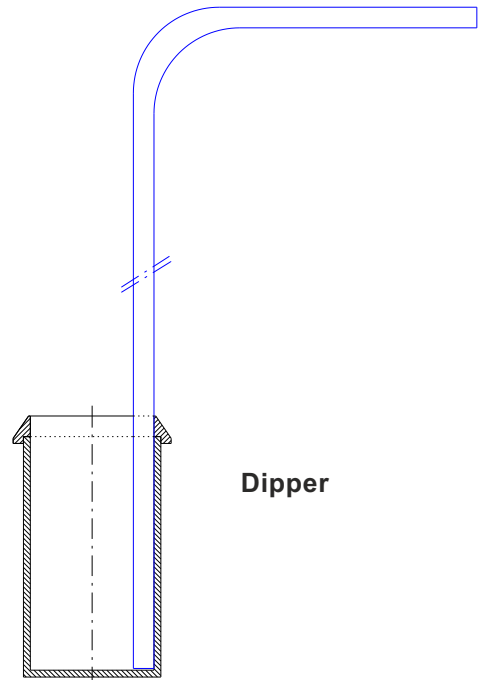
Technical data sheet for Dewar vessel out of Aluminium type ALU-DMT with dipper for dermatology

Safety advises and regulations

- always wear protective glasses and protective gloves
- national regulations for laboratories
- company- internal regulations
- safety regulations for handling with liquid gases
- ADR regulations



Dipper holder



Dipper

Measurements and order

Typ ALU		10-DMT	26-DMT	35-DMT
Art.-No.		2701-DMT	2702-DMT	2703-DMT
Capacity	(l)	12	26	34
Neck diameter H 1	(mm)	50	50	50
Weight empty	(kg)	6	14	16
Weight full	(kg)	14	35	43
Overall height	(mm)	600	670	655
Diameter outside	(mm)	305	388	468
Dipper depth of immersion	(mm)	600	600	600
Dipper capacity	(ml)	60	60	60
Evaporation rate static	(L / day)	0,2	0,2	0,24
Roller base Art.-No.			2640-CD	2641-CD



Spare parts	Art.-No.
Dipper	2630
Dipper holder for H1 = 69	2631
Dipper holder for H1 = 79	2632

All rights reserved for technical changes

Daily evaporation and static holding time are measured at 20°C, 1013 mb, vessel stationary, lid closed and without transfer siphon system. These values are nominal and can vary according to the history of the vessel and the manufacturing tolerances.