

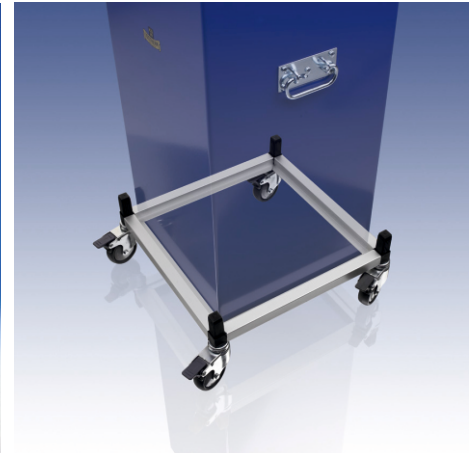
Technical data sheet for large insulating Dewar flasks boxed-shaped, type 131-134

Area of application

- laboratory technique
- medicinal technique
- Biotechnology
- Storing of CO₂
- liquid nitrogen or solid media and solid matters
- Pressure-less space for coolants



Dewar flasks type 131 - 134



Dewar flasks type 131 - 134 with roller base

Features of performance

- reliably and economically
- Dewar flasks according to DIN EN ISO 16496
- glass material according to ISO 3585
- nominal capacity from 10 to 28 litres
- protective casing out of blue-coated metal

Description of complete flasks

Types and accessories

- blue-coated protective casing out of metal
- side grips
- lid made of metal, blue coated with insulating disc
- lid with over pressure valve
- lockable lid

Temperature ranges

- glass refill from -200°C to +150°C
- lid to +80°C
- casing with mounting rubber from -10°C to +60°C

Pressure range

- pressure - less

Description of glass Dewar flask

Material

- borosilicate glass 3.3 ISO 3585

Chemical characteristics

- hydrolytic resistance: according to ISO 719 (98°C)
- hydrolytic resistance: according to ISO 720 (121°C)
- acid resistance: according to ISO 1776
- alkaline resistance: according to ISO 695-A2

Physical characteristics

- linear expansion coefficient: $3,3 \times 10^{-6} \text{ 1/K}$ (in between 20-300°C)
- density: 2,23 g/cm³
- specific thermal capacity: 910 J/kg K
- transformation temperature: 525°C

Vacuum

- $> 5 \times 10^{-6} \text{ mbar}$

Silvering

- fully silvered

KGW - ISOTHERM

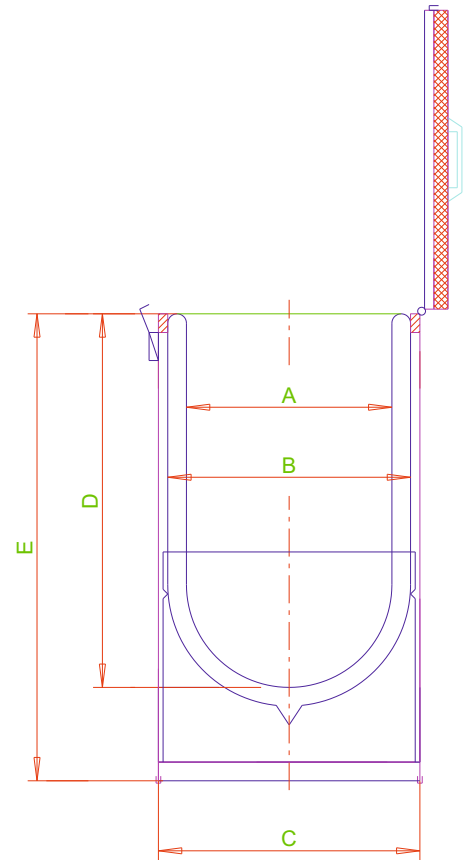
Karlsruher Glastechnisches Werk
76185 Karlsruhe Gablonzer Straße 6
Tel: 0721 95897-0 Fax: 0721 95897-77
E-Mail: info@KGW-ISOTHERM.COM
Internet: www.KGW-ISOTHERM.COM

Special types

- large insulating flasks with metal casing and roller base
- large insulating flasks with custom-made lid with drillings

Safety advises and regulations

- always wear protective glasses and protective gloves
- watch national regulations for laboratories
- watch company- internal regulations
- safety regulations for handling with liquid gases
- ADR regulations



Measurements and order data

Technical Specifications

Type	max. Content ca. [L]	A mm	B mm	C mm	D mm	E mm	Weight ca. [kg]	Evaporation rate CO2 ca. [kg / d]
131	10	200	230	290	350	500		0,4
132	14	200	230	290	500	635		0,4
133	21	250	280	360	480	630		0,6
134	28	250	280	360	620	765		0,6

Dewar - Artikelnummern

Type	Article No.	Linen-bags for type	Article No.	Insulating disc for type	Article No.		Rollerbase for Type	Article No.	
131	1262		131	1632		131	1642	131	1268-131
132	1263		132	1633		132	1643	132	1268-132
133	1264		133	1634		133	1644	133	1268-133
134	1265		134	1635		134	1645	134	1268-134

KGW - I SOTHERM

Karlsruher Glastechnisches Werk
 76185 Karlsruhe Gablonzer Straße 6
 Tel: 0721 95897-0 Fax: 0721 95897-77
 E-Mail: info@KGW-ISOTHERM.COM
 Internet: www.KGW-ISOTHERM.COM